

GATES TPU FOOD BELT QUOTE CHECKLIST Z CONVEYOR

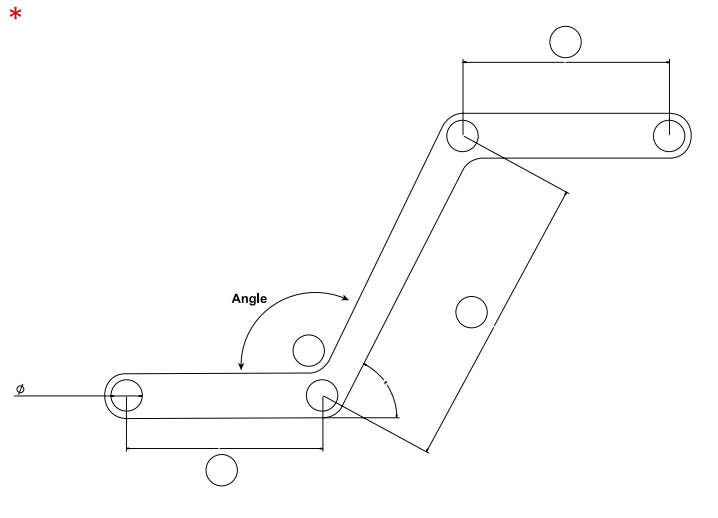
*Name: _____ *Phone: _____ *Site Location: _____ *Email: _____
 *Company Name: _____

APPLICATION

*Briefly describe what is being conveyed, what type of belt is being replaced.
 *Max. Load lbs.
 *Load Rate lbs/hr and Conveyor Speed ft/min
 *Lb per Cubic Ft. and Depth of Product in

or
or

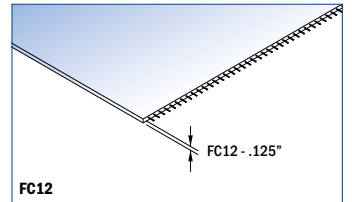
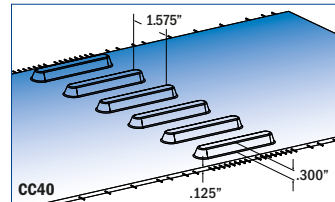
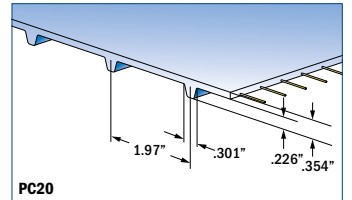
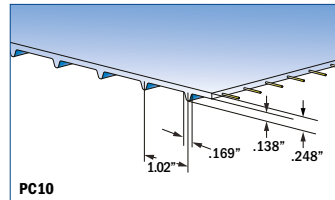
BELT	INPUT
*Belt Pitch/Type	
*Belt Width (in/mm)	
*Belt Length (in/mm)	
*Splice Type	
Mechanical	
Weld	
*Straight Cleats (5mm thick)	
Overall Height	
Spacing	
Offset From Edge (in/mm) / Centered	
*Scoop Cleats (7 mm thick)	
Overall Height	
Spacing	
Offset From Edge (in/mm) / Centered	
*Sidewalls	
Overall Height	
Offset From Edge (in/mm)	
V-Guide	
Type	
Offset From Edge (in/mm) / Centered	



Comments (environment, cleaning protocol, etc.)

SPROCKETS
of Sprockets
Number of Teeth or Diameter
Bore Type
Dimension (in/mm)
Keyway Dimension (in/mm)
Any Back Idlers
Diameter of Back Bend (in/mm)
Smallest In Conveyor (in/mm)
Drum Motor / Motorized Pulley

Common Pitch Types



CONVEYOR
Drive Type
Bed Type Top
**Carryway Material
Bed Type Return
**Carryway Material
Conveyor Sidewalls/Fenders - Height
*Material
Incline Angle
Angle of Belt Wrap On Drive Pulley
Tensioning Device (Take Up) Avail.
Type
Total Travel
Extended Distance When Center Distance is Measured

ADDITIONAL INFORMATION

*Dry/Wet Application