



TPU BELTS

THERMOPLASTIC POLYURETHANE

GATES TPU SYNCHRO-POWER™

WRAT10 ROLL STOCK

FULLY ENCAPSULATED CORD, FOOD APPLICATIONS, CORROSIVE ENVIRONMENT

WHERE OTHERS SEE A BELT, WE SEE A SOLUTION THAT CAN BENEFIT OUR CUSTOMERS

Using materials science advancements, design expertise, and processing technologies, we designed belts to accommodate direct food contact and cleaning processes for applications in highly corrosive environments. Designed with a fully encapsulated cord, GATES® WRAT10 Synchro-Power® belts prevent corrosion of cords, hidden contamination and are easy to clean. Endless-welded to any length, this belt is ideal for conveying applications in industrial and food processing markets. All backings and profiles for food contact are applicable for customized transportation solutions.

We believe operating challenges are made to be overcome. That's why thousands of industrial facilities, global operations, equipment designers, and system integrators around the world choose GATES application expertise to solve the most challenging design issues.

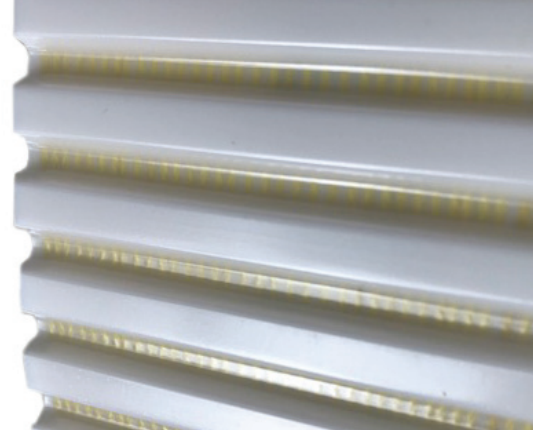
FEATURES + BENEFITS

- Greatest tensile strength
- Fully encapsulated cord
- Excellent resistance to chemicals and corrosion
- Steel or Aramid reinforcement
- Certified for wet and dry food contact
- Meets FDA and EU food regulations
- High level of hygienic integrity, easy to clean
- Works in corrosive environments



SYNCHRO-POWER®

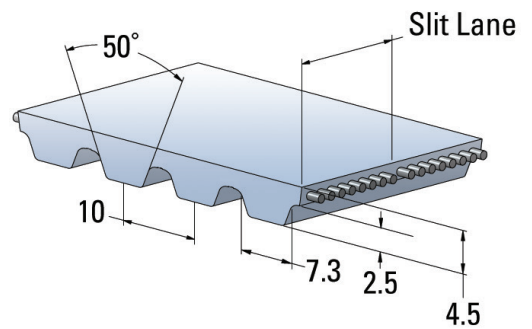
WRAT10 ROLL STOCK



PRODUCT SPECIFICATIONS

PITCH	10 mm
STANDARD THICKNESS	4.5 mm
MINIMUM WELDED BELT LENGTH	500 mm
STANDARD ROLL LENGTH (TOLERANCE ±1%)	100 mm
STANDARD COLOR	White/Blue
CORD	Steel, Aramid, High Flexible Steel
MINIMUM NUMBER OF PULLEY TEETH z_{min}	15 (Steel/Aramid)
MINIMUM BACK BEND DIAMETER	120 mm (Steel/Aramid)
FDA/EU APPROVAL	Yes (Aramid)
POLYURETHANE	R1/92 Shore A/-5 °C to +70 °C R1/92 Shore A/-5 °C to +70 °C
POLYAMIDE FABRIC	No

WRAT10 SYNCHRO-POWER ROLL STOCK



TECHNICAL DATA

STANDARD WIDTH (MM)	16	25	32	50	75	100	150
Ultimate Tensile Strength - F_{Break} [N] Average Value							
Steel	8550	14250	18050	29450	44650	59850	90250
Aramid	9970	16185	21019	33449	50713	67977	102505
Allowable Belt Tension - F_{1all} [N] Open Ended							
Steel	2245	3741	4739	7731	11722	15712	23693
Aramid	1078	1750	2273	3617	5483	7350	11083
Allowable Belt Tension - F_{1all} [N] Endless Welded							
Steel	1122	1871	2369	3866	5861	7856	11847
Aramid	809	1313	1705	2713	4113	5513	8313
Allowable Effective Tension - F_{eall} [N] Minimum 15 Teeth in mesh							
Steel & Aramid	1651	2580	3302	5160	7740	10320	15480
Specific Belt Stiffness - C_{sp} [N]							
Steel	561150	935250	1184650	1932850	2930450	3928050	5923500
Aramid	269500	437500	568167	904167	1370833	1837500	2770833

NORTH AMERICA

Gates TPU
9 Northwestern Drive
Salem, NH 03079
Tel. +1 (800) 394-4844
Email: contact@gates.com

EMEA

Gates TPU GmbH
Werner von Siemens Strasse 2
64319 Pfungstadt, Germany
Tel. +49 (0) 6157-9727-0
Email: sales-pfungstadt@gates.com